

CERTIFICATE OF LOCATION OF GOVERNMENT CORNER

NORTHEAST Corner of Section 35, Township 107, Range 41, 5TH P.M.

STATE OF MINNESOTA, County of MURRAY

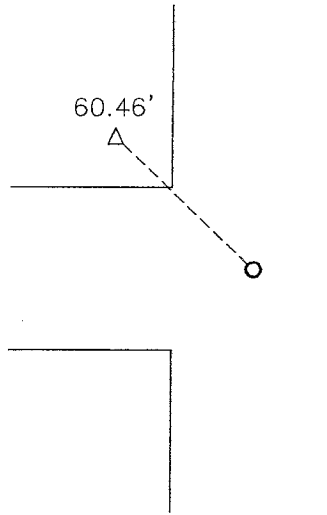
At the corner location shown on the sketch:

On 11-17-2010 found a 5/8" IRON
DATE

left monument as found, lowered monument, removed monument (explain)

On _____ placed a _____
DATE

SKETCH OF REFERENCE TIES



Minnesota State Plane Coordinate
System Murray County Datum
NAD83 (1996)

N: 168718.221
E: 511361.051

Top center of telephone pedestal NW 60.46'

Statement of evidence relative to this corner location is on back of page.

I hereby certify that this document and the data contained herein was prepared by me or under my direct supervision.


SIGNATURE

1/12/11
DATE

Registration No. 43844

Land Surveyor, Professional Engineer
 County Surveyor, County Engineer

OFFICE OF THE COUNTY RECORDER
County of _____

I hereby certify that this document was filed in the Co. Recorders office at _____ .M on the _____ day of JAN 18 2011 A.D. 20____

County Recorder James V. Johnson
By _____, Deputy

DOCUMENT NO. _____

Statement of Evidence

In 1861, L.G.M. Fletcher did the original subdivision of the township.

On June 17, 1995, Moseng Land Surveying found a railroad spike set by the Minnesota DNR. They removed the spike and dug with a backhoe. They found nothing else. They set a 5/8" iron with seal #11943 in place of the railroad spike.

On November 17, 2010, Bueltel-Moseng Land Surveying found a 5/8" iron 1'± below the road surface. We accepted the iron.